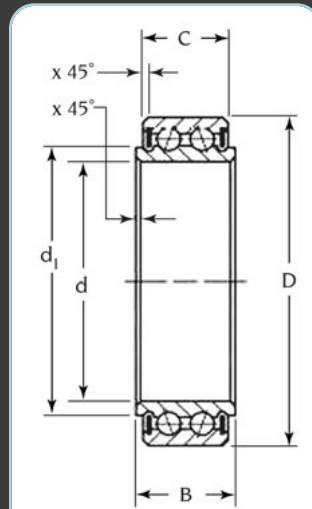


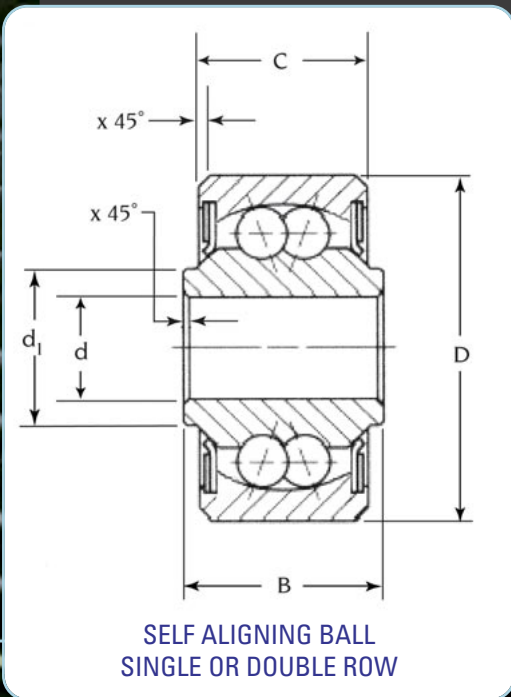
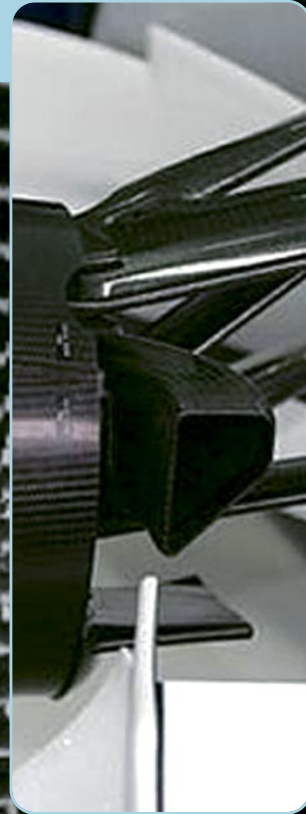
# Bespoke Control Bearings and Torodial Bearings manufactured by HB Bearings

HB Bearings manufacture bespoke Control Bearings and Torodial Bearings for Motorsport.

These bearings are frequently used in suspension joints and other aligning type applications. Most airframe type control bearing designs and sizes can be manufactured. Special sizes and designs are also made. These are normally supplied with glass reinforced P.T.F.E. seals.

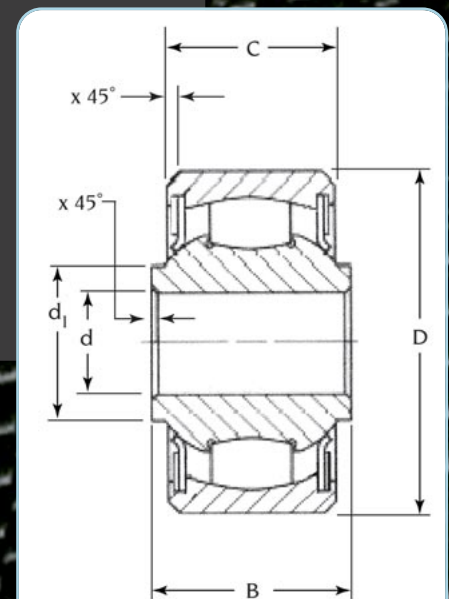


TORQUE TUBE BEARINGS  
SINGLE OR DOUBLE ROW

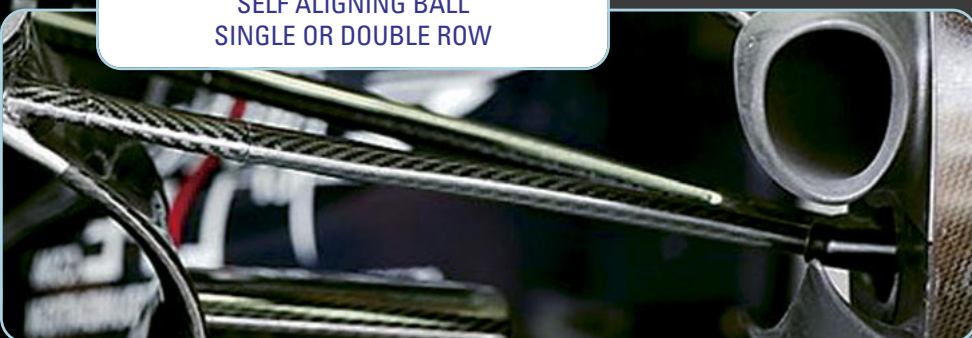


SELF ALIGNING BALL  
SINGLE OR DOUBLE ROW

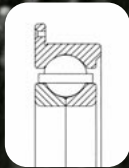
- INCH AND METRIC SIZES
- SINGLE OR DOUBLE ROW
- BALLS OR ROLLERS
- SIZE TO REQUIREMENTS
- WITH OR WITHOUT SEALS
- GREASE AS SPECIFIED



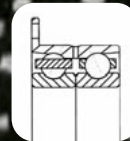
SELF ALIGNING ROLLER  
SINGLE OR DOUBLE ROW



**Examples** Examples of bespoke bearings for Motorsport



Flanged duplex ball bearing suitable for taking axial load in either direction. Axial clearance/preload to customers requirements.



Flanged double row angular contact ball bearing with phenolic cage. Able to take axial load in either direction as well as radial load. Clearance/preload as required.



Roller bearing with flange in middle of outer race diameter, with locating slot and one piece bronze cage.



Flanged double cup to accept two taper roller cones, with oil groove and oil holes.

**Bearing inspection** High quality inspection, measurement and traceability

